

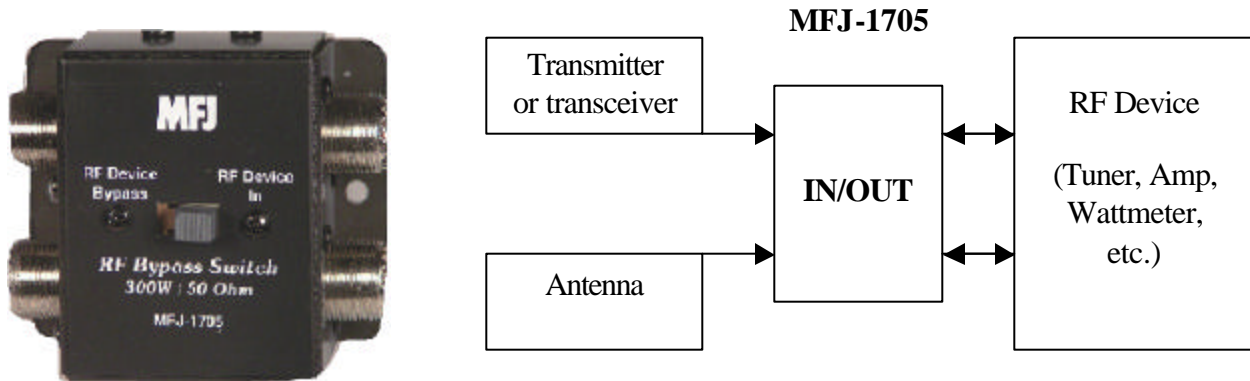
---

# MFJ-1705 RF Bypass Switch

## DC-60 MHz

### INTRODUCTION

The **MFJ-1705** is a RF bypass switch designed to switch in or bypass any device. Simply connect your antenna tuner, linear amplifier, preamp, wattmeter or other device using a SO-239 coax connector. A slide switch allows you to choose between “**RF Device In**” or “**RF Device Bypass**”. This RF Bypass Switch is rated to operate at DC to 60 MHz at 300W / 50Ω.



**WARNING: Never transmit while changing the switch position.**

### INSTALLATION

1. The **MFJ-1705 RF Bypass Switch** is intended for applications protected from the elements – **out of the weather**.
2. Connect any device such as an antenna tuner, linear amplifier, preamp, wattmeter or other device to the “**RF Device**” connectors using SO-239 coax connectors.
  - a. Connect one side of the “**RF Device**” connector to the “transmitter” or “RF in” side of the device.
  - b. Connect the other side of the “**RF Device**” connector to the “antenna” or “RF out” side of the device.
3. Connect your transmitter and antenna to the “**In/Out**” connectors using SO-239 coax connectors.
  - a. Connect your transmitter to one side of the “**In/Out**” connector.
  - b. Connect your antenna to the other side of the “**In/Out**” connector.
4. Select the switch position to “**RF Bypass**” or “**RF Device In**”.
5. Operate from DC to 60 MHz with output power of up to 300 Watts at 50 Ohms.